

Specification

770137(320120HF)
Insulated Cook and Hold Oven



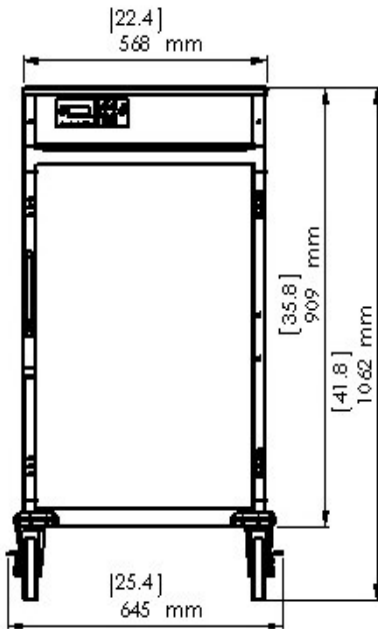
- Designed for cooking and holding.
- Temperature even design without fan to keep food fresh & moisture.
- Digital Electronic controls, select a variety of cooking temperatures & time.
- Digital Timer to notify user when process is Complete.
- Cooks by time and automatically converts from Cook mode to hold mode.
- Control features indicator lights for the cook cycle and hold function
- Side racks with fifteen pan positions spaced on 1-1/2"(38mm) centers, per compartment.
- Solid door with magnetic door latch, Zinc Alloy Machined handle.
- Heavy duty 5" casters, two swivel with brakes, two Rigid. Provides mobility when fully loaded.
- Temperature range : Cooking 200°F~320°F
Holding 60°F~205°F.
- Made of stainless steel.



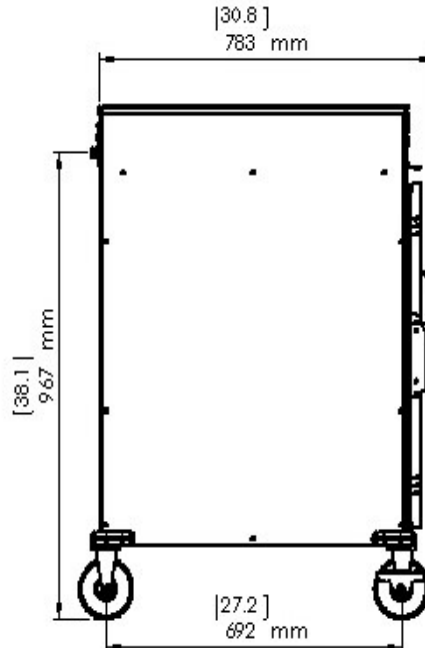
Note: Dimensions and Specification are subject to change without notice.

This Energy Efficient half size oven has a controlled, uniform heat source that maintains close temperature tolerances throughout the cooking and holding function. As a result, consistent cooking offers low shrinkage of bulk or portion-cut protein items, higher food moisture content, and significantly longer holding life. Max temperature 320 degrees °F.

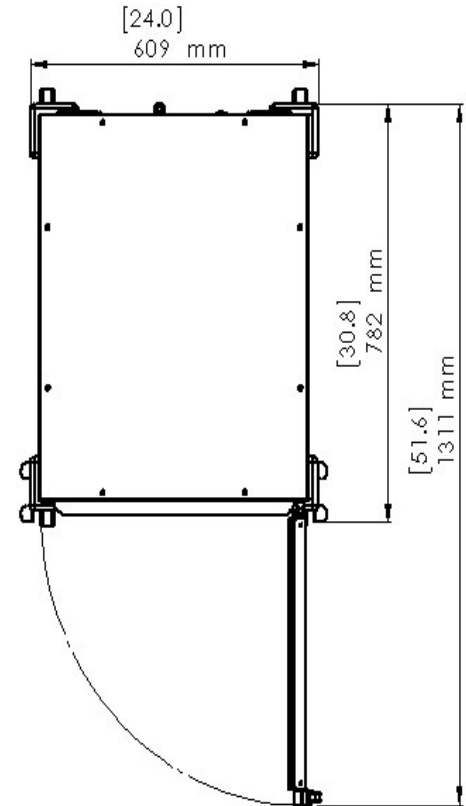
Front View



Side View



Top View



Pan Capacity 18" x 26" x 1" 15 pcs

20" x 12" x 2-1/2", 8 pcs

20" x 12" x 4" 4 pcs

20" x 12" x 6" 4 pcs

Electrical 120 Volts, 14.5Amps, 60Hz

Power 1700 Watts

Cord NEMA 5-20P plug.

Net Weight 187 lbs(87Kg).

Gross shipping weight 213 lbs(97Kg).

Class 100

Dimensions 25.4" W x 31" D x 41.75" H

Package 26" W x 33" D x 42" H

Warranty 1 Year Manufactures limited Warranty