

Specification

770137(320208HF)
Insulated Cook and Hold Oven



- Designed for cooking and holding.
- Temperature even design without fan to keep food fresh & moisture.
- Digital Electronic controls, select a variety of cooking temperatures & time.
- Digital Timer to notify user when process is Complete.
- Cooks by time and automatically converts from Cook mode to hold mode.
- Control features indicator lights for the cook cycle and hold function
- Side racks with fifteen pan positions spaced on 1-1/2"(38mm) centers, per compartment.
- Solid door with magnetic door latch, Zinc Alloy Machined handle.
- Heavy duty 5" casters, two swivel with brakes, two Rigid. Provides mobility when fully loaded.
- Temperature range : Cooking 200°F~320°F
Holding 60°F~205°F.
- Made of stainless steel.

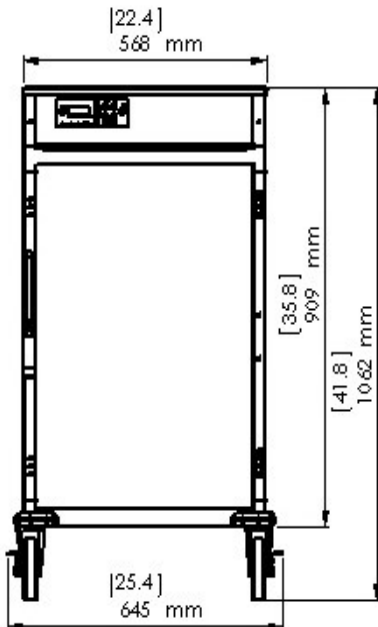


Intertek

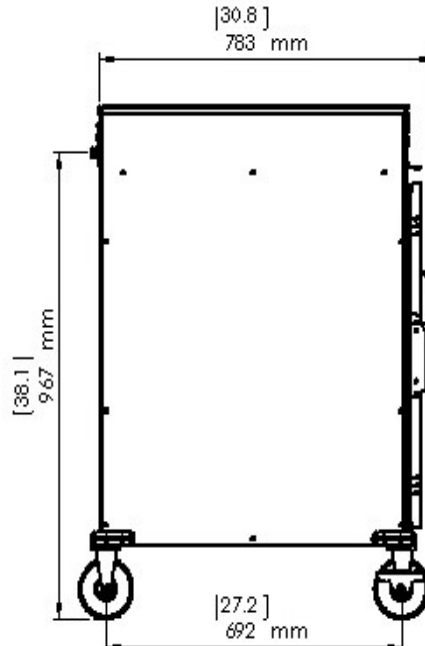
Note: Dimensions and Specification are subject to change without notice.

This Energy Efficient half size oven has a controlled, uniform heat source that maintains close temperature tolerances throughout the cooking and holding function. As a result, consistent cooking offers low shrinkage of bulk or portion-cut protein items, higher food moisture content, and significantly longer holding life. Max temperature 320 degrees °F.

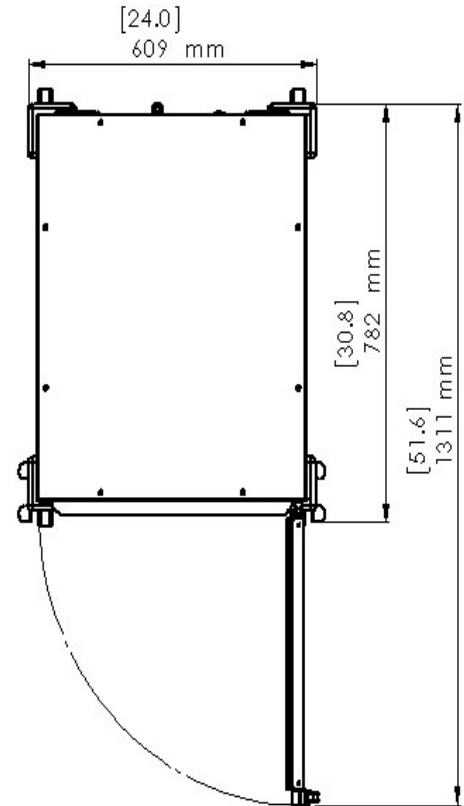
Front View



Side View



Top View



Pan Capacity 18" x 26" x 1" 15 pcs

20" x 12" x 2-1/2", 8 pcs

20" x 12" x 4" 4 pcs

20" x 12" x 6" 4 pcs

Electrical 208 Volts, 14.5Amps, 60Hz

Power 3200 Watts

Cord Included. Need plug end, installed by qualified electrician.

Net Weight 187 lbs(87Kg).

Gross shipping weight 208 lbs(95kg)

Class 100

Dimensions 25.4" W x 31" D x 41.75" H

Package 26" W x 33" D x 42" H

Warranty 1 Year Manufactures limited Warranty