

## Specification

### 770087(WF9L) Insulated Heater Proofer

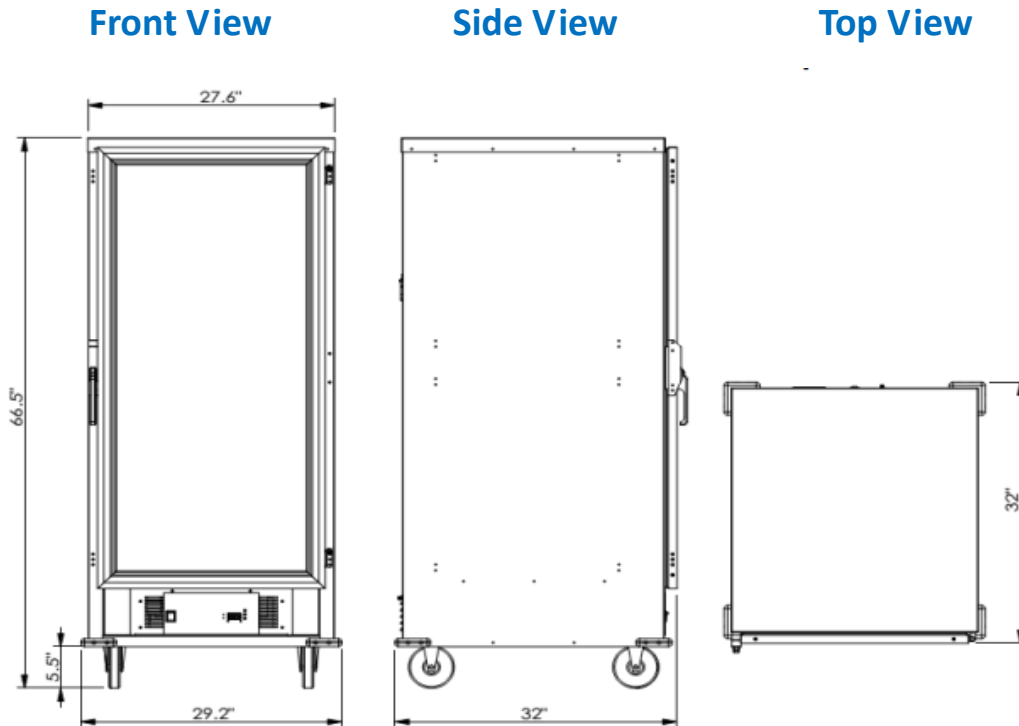


- ◆ Designed for proofing and heating.
- ◆ All digital display and controls.
- ◆ Machined Zinc Alloy handle
- ◆ Adjustable thermostat for a variety of warming temperatures.
- ◆ Holding temperature up to 185 F.
- ◆ Water pan provides moisture for proofing
- ◆ Humidity up to 95%(under 90F)
- ◆ multipurpose Universal rack system 6" shelf/storey with 3" spacing. Sixteen 24"x24" .Thirty-two pans. 20"x12" or Sixteen 18"x26" pans. Will hold 18", 20" , 22" and 24" pizza boxes.
- ◆ Clear polycarbonate door for easy viewing.
- ◆ Aluminum cabinet.



**Note: Dimensions and Specification are subject to change without notice.**

Originally manufactured for the donut industry, this wider cabinet features a 6" revolutionary rack system, offers 3" spacing. Sixteen 24"x24" pans, Thirty- two 20"X12" or Sixteen 18"x26" pans. Made for 18", 20", 22" and 24" pizza boxes. Offering the ability to proof a variety of baked goods, allowing dough to rise before baking. All digital temperature controls with easy set up. Enables a variety of temperatures, including warming. Designed with enduring quality in mind

**770087(WF9L) Insulated Heater Proofer**

**Pan Capacity**

Multipurpose Universal rack system  
 6" shelf/ storey, 3" spacing,  
 Sixteen 24"x24" pans, Thirty-two 20"x12".  
 Or Sixteen 18"X26" pans  
 18", 20", 22" and 24" pizza boxes.  
 Hold steam pans as well

**Electrical** 120 Volts

**Power** 1500 Watts

**Net weight** 160 lbs

**Gross shipping weight** 187 lbs

**Class** 100

**Dimensions** 29.2" W x 32"D x 66.6" H

**Package** 30" W x 33"D x 67" H

**Warranty** 1 year manufactures limited Warranty