

## Specification

### 770087(S1DD)Non-Insulated Heater Proofer



- ◆ Designed for proofing and heating.
- ◆ Dutch doors design reduce the loss of heat and energy saving in cost.
- ◆ All digital display and controls.
- ◆ Machined Zinc Alloy handle
- ◆ Adjustable thermostat for a variety of warming temperatures.
- ◆ Holding temperature up to 185F.
- ◆ Water pan provides moisture for proofing
- ◆ Humidity up to 95%(under 90F)
- ◆ Total capacity is Sixteen full size Pan(18"x26").
- ◆ Clear polycarbonate door for easy viewing.
- ◆ Aluminum cabinet.



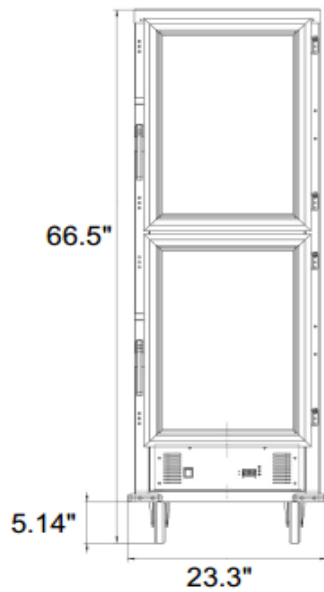
**Note: Dimensions and Specification are subject to change without notice.**

This full- size Heater Proofer cabinet Adjustable Rack can hold up to 16 18" x 26" full size pans, as well as a variety of others. Offering the ability to proof a variety of baked goods, allowing dough to rise before baking. All digital temperature controls with easy set up. Enables a variety of temperatures, including warming. Designed with enduring quality in mind

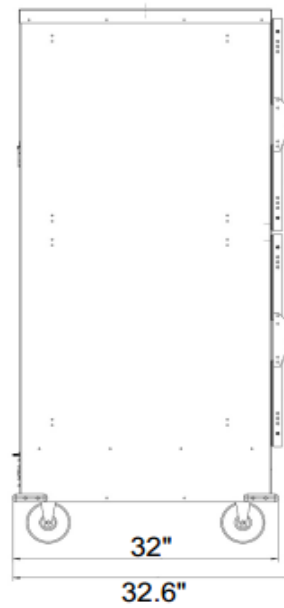
## Specification

### 770087(S1DD)Non-Insulated Heater Proofer

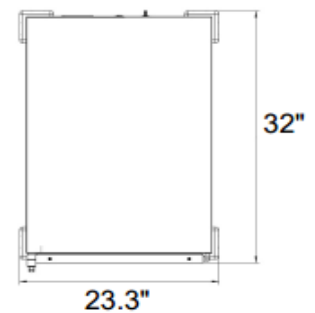
**FrontView**



**Side View**



**Top View**



Electrical 120 Volts

Power 1500 Watts

Net weight 138 lbs

Gross shipping weight 156 lbs

Class 100

Dimensions 23.3" W x 32"D x 66.6" H

Package 24" W x 33"D x 67" H

Warranty 1 year manufactures limited Warranty